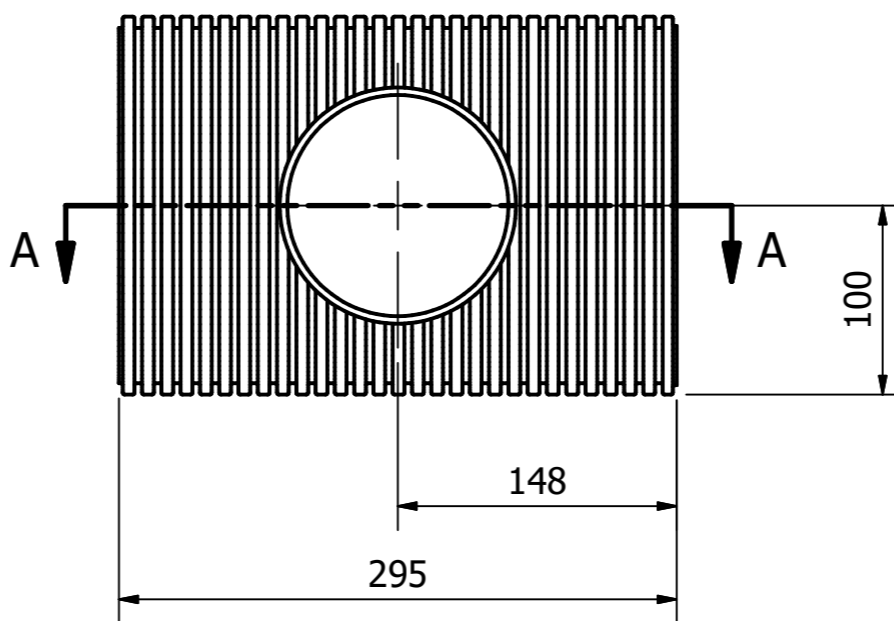
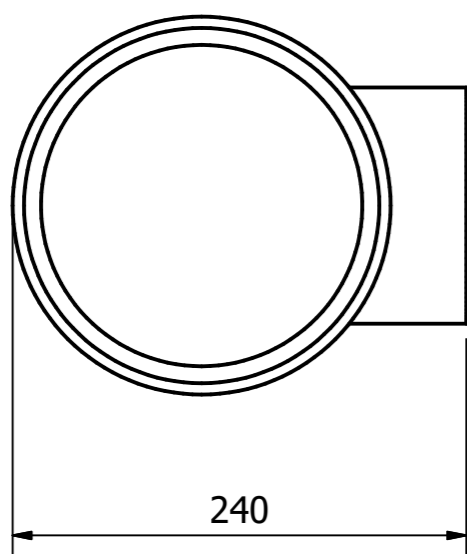
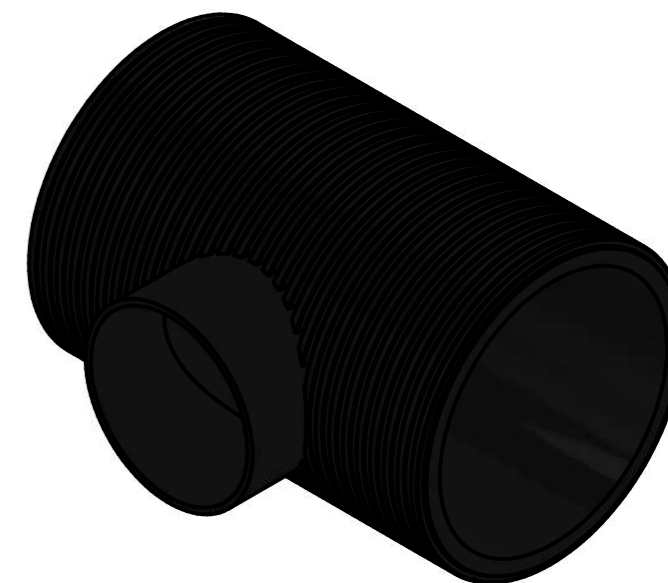
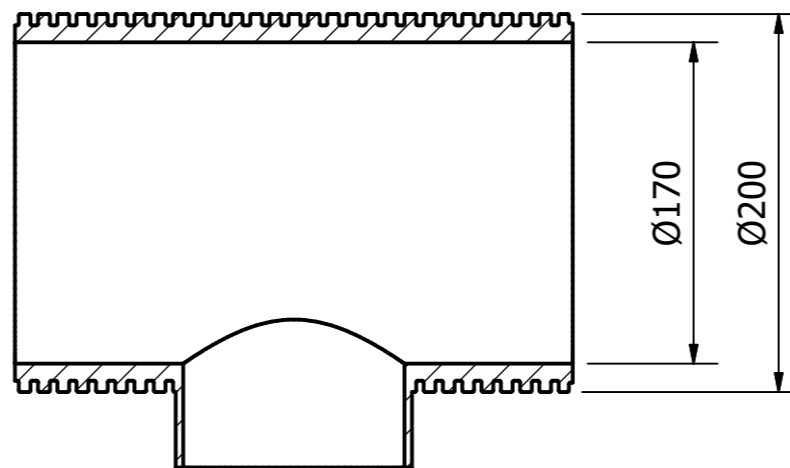


A-A (1 : 4)



PART NAME Insulated T-piece Ø174 connection Ø125				
DRAWING NUMBER VENTILAIR 2006000052		MATERIAL Generic	REVISION HISTORY	
FABRICATION	COLOUR RAL 9005	SCALE 1 : 4	DATE 7-12-2020	BY
PROJ A-A	Tolerance (Unless otherwise stated)	UNITS mm	SIZE A3	DRAWN BY
	From [mm] 0 30 300	Ang. ±1°		REVIEWED BY
	Till [mm] 30 300 300+			
	Tol. [mm] ±0,1 ±0,4 ±0,8			

